



FAM120CS
Satin finish

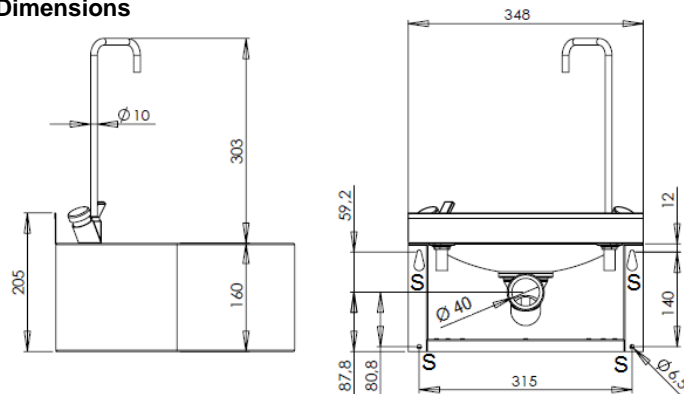
General description

- Non-refrigerated wall-mounted water fountain with connection to the drinking water mains, made of stainless steel AISI 304, satin finish, 1 mm thick, satin finish.
- Ideal solution for public indoor and outdoor spaces such as waiting rooms, schools, universities, shopping centers, airports, sport facilities, factories, etc. Model suitable for public use with high strength and durability.
- Easily connected to the water mains, it provides a constant supply of water at room temperature.
- Designed to offer maximum hygiene and easy maintenance, this water drinking fountain features softly rounded corners and a contoured bowl designed to minimize splashing.
- Equipped with a heavy-duty chrome plated brass faucet bubbler and a sink faucet to refill bottles.

Technical specifications

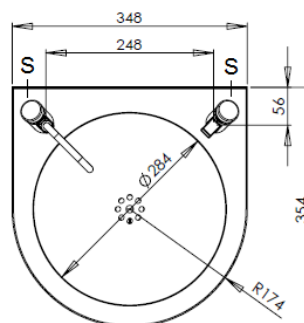
Stainless steel thickness	1 mm
Water inlet	3/8"
Water outlet	Ø 40 mm (1 ½")
Net weight	2.9 Kg

Dimensions



Components & Materials

- **BODY:** manufactured in stainless steel AISI 304, 1 mm thick, satin finish. Its contoured bowl minimizes splashing.
- **FAUCET BUBBLER:** with a manual timed push button it is made of chrome plated brass.
- **SINK FAUCET:** with a manual push button it is made of chrome brass and it is very useful to fill glasses of water and bottles.



Dimensions ±4%

MOUNTING

Fix the wash basin on the wall using stainless steel screws (not supplied) through the corresponding holes (points indicated by an "S" in the upper figure).

OPERATION

Press the faucet bubbler push-button, bring the mouth near to the faucet bubbler and drink water at your convenience or take a container, press the sink faucet push-button and fill the glass/bottle.