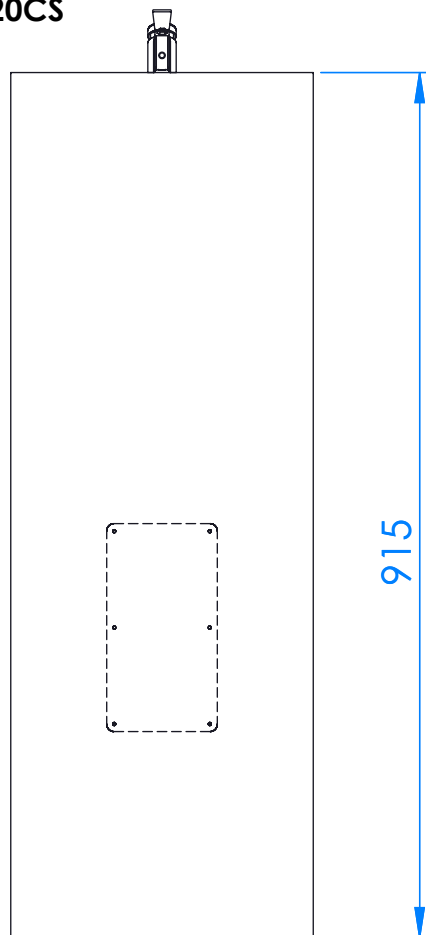
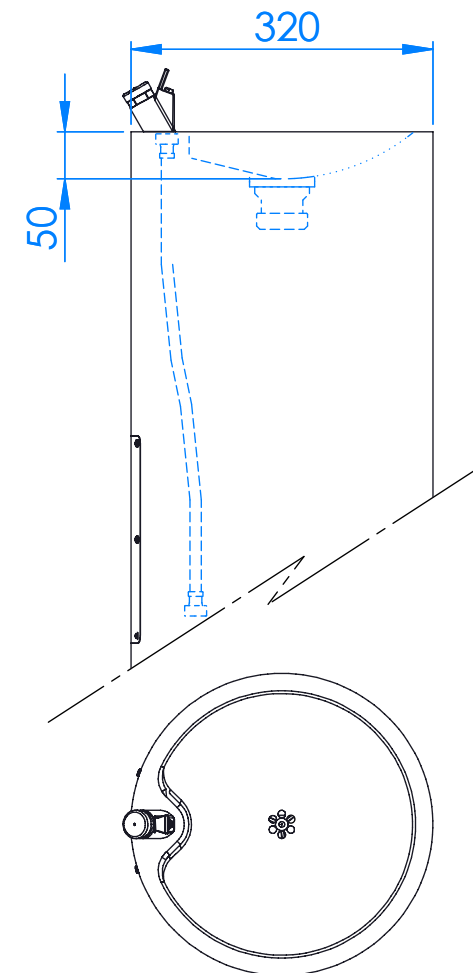
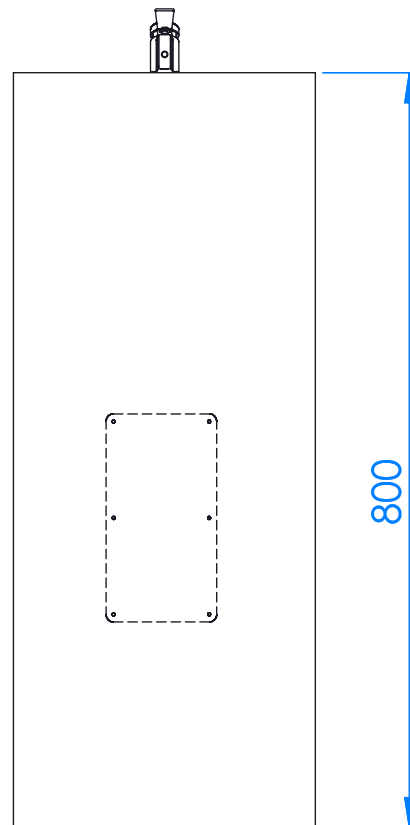


FA0220CS



FA0120CS



**mediclinics**

FUENTE REDONDA INOX AISI304 SATINADO
FLOOR FOUNTAIN STAINLESS STEEL AISI304 SATIN FINISH

Ref. FA0120CS / FA0220CS

Fecha / **Date:** 05/03/2021

www.mediclinics.com

