

BINS	Pedal-operated bins
-------------	----------------------------



PP1303/PP1305/PP1312/PP1321
White finish



PP1303C/PP1305C/PP1312C/PP1321C
Bright finish



PP1303CS/PP1305CS/PP1312CS/PP1321CS
Satin finish

General description

- Indoor circular body waste bins, 3L (PP1303...), 5L (PP1305...), 12L (PP1312...) or 20L (PP1321...) capacity, operated by means of a pedal, to rest directly on the floor.
- Suitable for washrooms and in-doors public areas. Models suitable for public use.
- Strong plastic inner bucket - easy to clean and to remove the bin liner.
- Smooth and silent closing lid that avoids bad odors.
- Sturdy carrying handle - easy to move the bin.

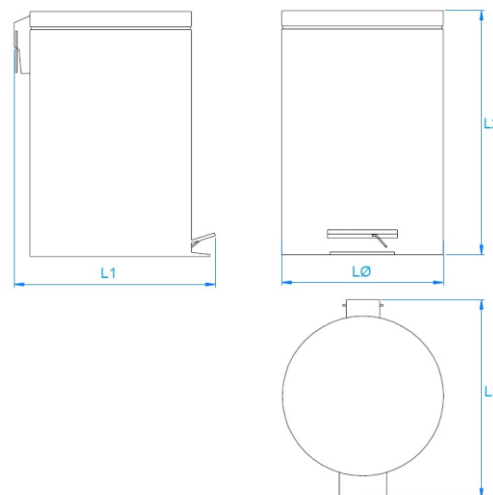
Components and materials

- PP1321/ PP1312/ PP1305/ PP1303:** steel white Epoxy finish.
- PP1321C/ PP1312C/ PP1305C/ PP1303C:** AISI 410 stainless steel, bright finish.
- PP1321CS/ PP1312CS/ PP1305CS/ PP1303CS:** 410 stainless steel, satin finish.
- BODY:** circular. Robust against shocks and misuse.
- LID:** circular. Silent and anti-odors. Lid opening based on hinge system made of thermoplastic material.
- BASE:** made of black thermoplastic, non-slip, insulates the cube bottom of moisture and makes the cube remain stable in place.
- INNER BUCKET:** made of polypropylene with metal handle, for easy removal and capacity of 3 L (PP1303 ...), 5 L (PP1305 ...), 12 L (PP1312) or 20 L (PP1321).
- PEDAL:** metallic with a piece of non-slip black thermoplastic attached on its top. Activates the opening of the lid by pressing.
- HANDLE:** metallic and located in the upper rear part of the bin to facilitate the transport.

Technical specifications

Capacity	3 L (PP1303...) 5 L (PP1305...) 12 L (PP1312...) 20 L (PP1321...)		
Weight (net)	---	C	CS
	(Kg)	(Kg)	(Kg)
PP1303...	0,63	0,56	0,56
PP1305...	0,84	0,75	0,75
PP1312...	1,62	1,45	1,45
PP1321...	2,00	1,80	1,80

Dimensions



	LØ (mm)	L1 (mm)	L2 (mm)	L3 (mm)
PP1303...	168	226	250	226
PP1305...	205	264	275	264
PP1312...	249	320	392	320
PP1321...	290	362	450	362

Dimensions: ± 4%

Operation

Push with the foot the pedal to operate the lid opening.

Mediclinics, S.A., reserves the right to make changes and/or modifications to the products and their specifications without prior notice
Review 05-21 © mediclinics S.A.